



4814S1



4834S1

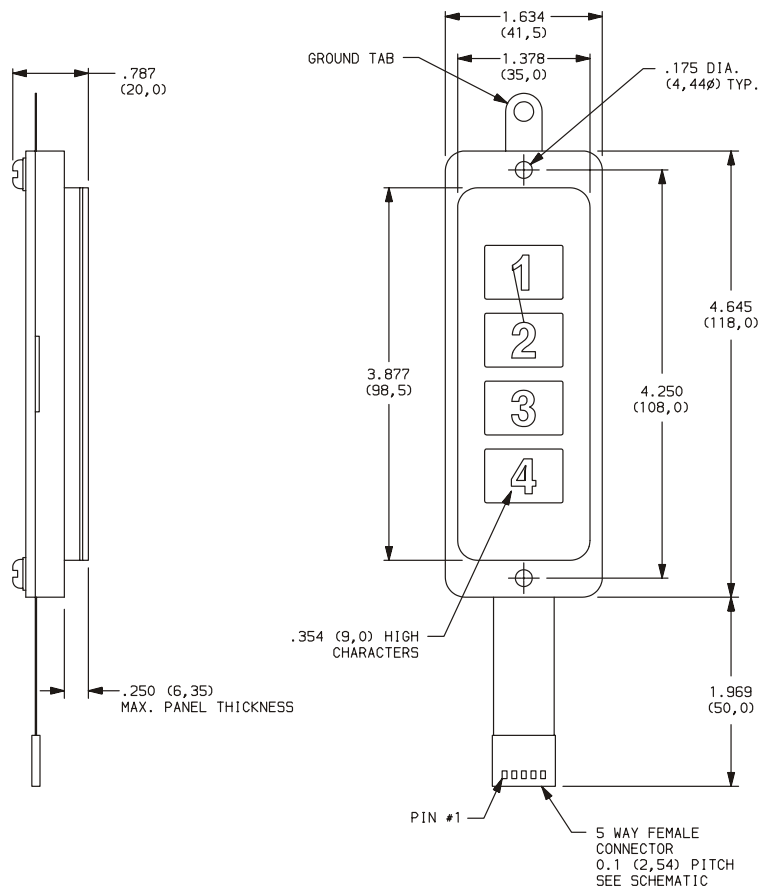


4844S1

- Stainless steel vandal resistant construction
- Attractive brushed stainless finish
- Used in ATM and other outdoor applications
- Positive tactile feedback

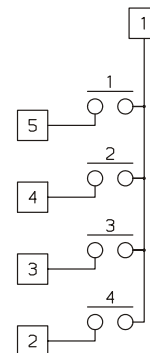
- Keys and faceplate sealed to IP66
- Durable, recessed legends
- Ground tab provided
- Low profile

**1 x 4 Array, 4 Keys**



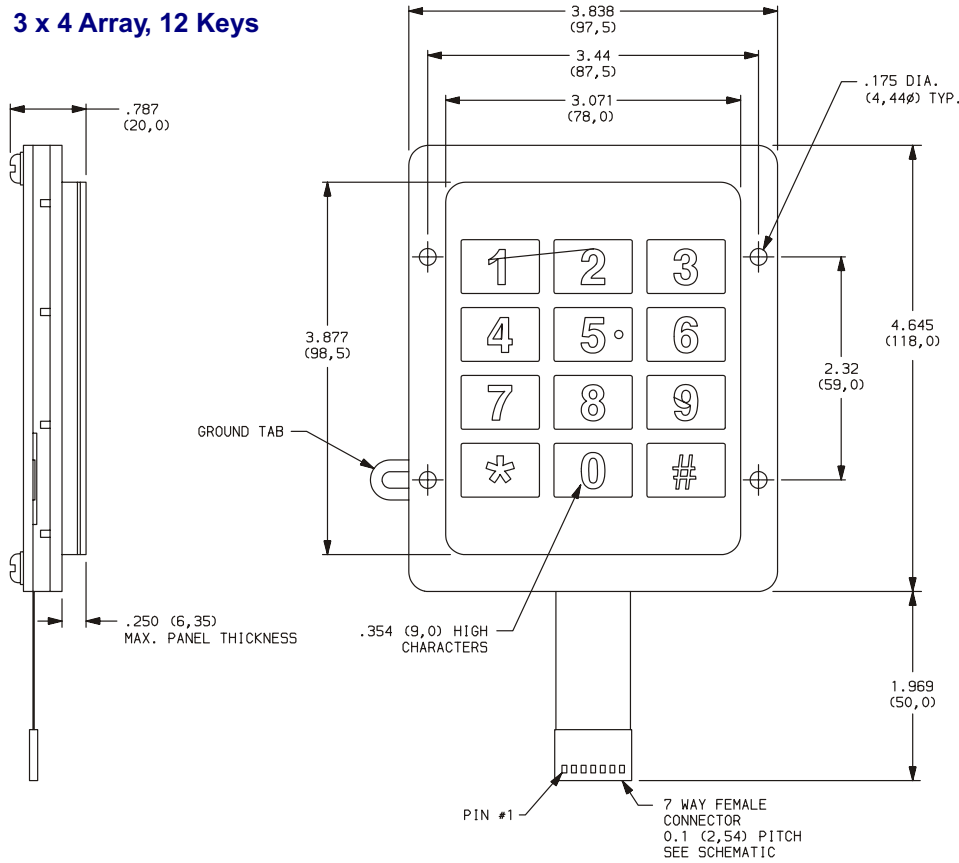
PART NO.	DETENT	CONNECTOR
4814S1	YES	FEMALE

**Schematic**



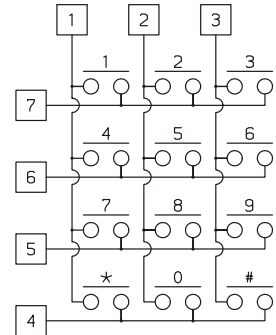
X-Y Matrix output circuit configuration with static shield. Switch function - SPST N.O. Momentary.

### 3 x 4 Array, 12 Keys



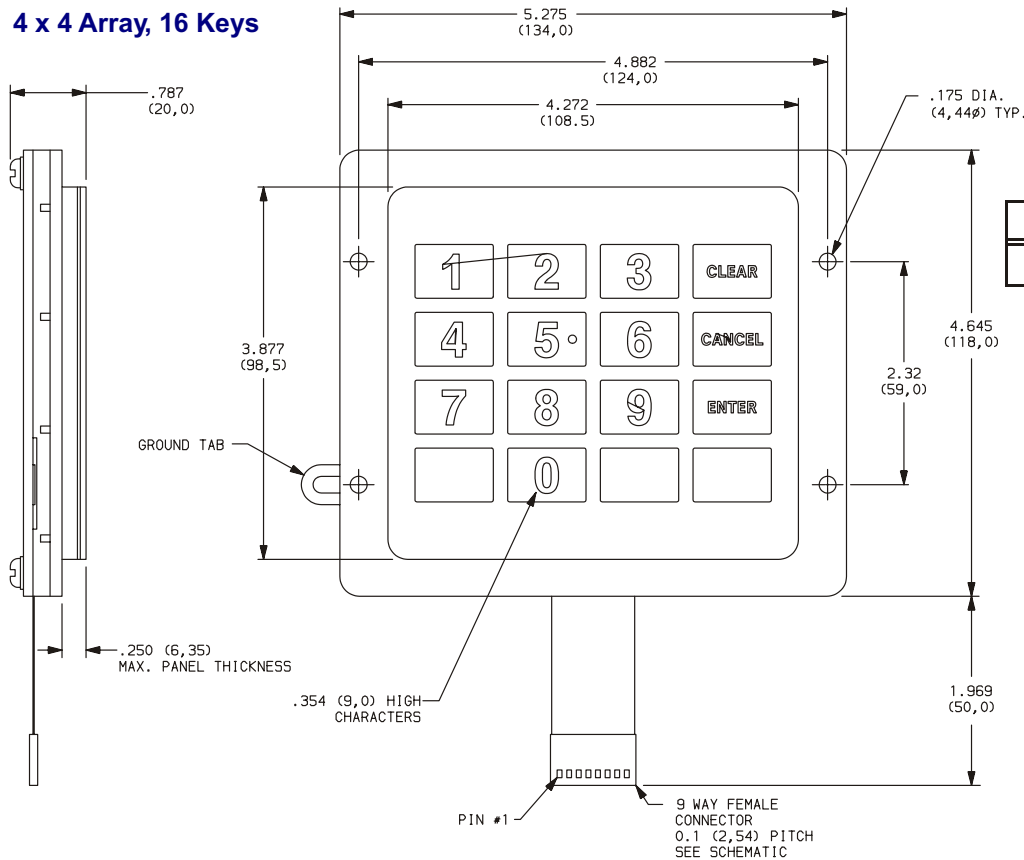
PART NO.	DETENT	CONNECTOR
<b>4834S1</b>	YES	FEMALE

### Schematic



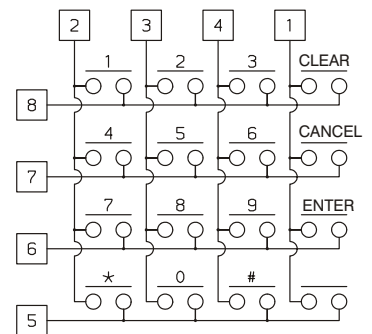
X-Y Matrix output circuit configuration with static shield. Switch function - SPST N.O. Momentary.

### 4 x 4 Array, 16 Keys



PART NO.	DETENT	CONNECTOR
<b>4844S1</b>	YES	FEMALE

### Schematic



X-Y Matrix output circuit configuration with static shield. Switch function - SPST N.O. Momentary.

**HOW TO ORDER**

In2tec Ltd. Cunliffe Drive, Kettering, Northamptonshire NN16 8NT Tel: +44 (0) 1536 419250 Fax: +44 (0) 1536 419222

In2tec Inc. 18 Christina Marie Drive, Pembroke, MA. 02359 USA Tel: 781-293-9689 (Direct Line) Fax : 413-451-5053

---

**SPECIFICATIONS**

CONTACT RATING: 0.1 mA – 50 mA.

VOLTAGE: 1.5 V DC min. to 30 V DC max. (resistive, smooth supply).

CONTACT RESISTANCE: Less than 45 ohms.

SWITCH POWER: 1.5 watt max.

CONTACT BOUNCE: 20 msec. max.

DIELECTRIC STRENGTH: 100 V RMS for 1 minute.

INSULATION RESISTANCE: 10 megohms at 40 °C, 93% r.h.

**MATERIALS**

FACEPLATE: Stainless steel.

HOUSING: Polycarbonate.

CONTACTS: Solid silver conductive ink.

CONNECTOR: Female connector with tin/lead plating.

**NOTE:** Specifications and materials listed above are general specifications. Specifications available for specific and custom switches, consult factory.

**IN2TEC Document 3006-0304**